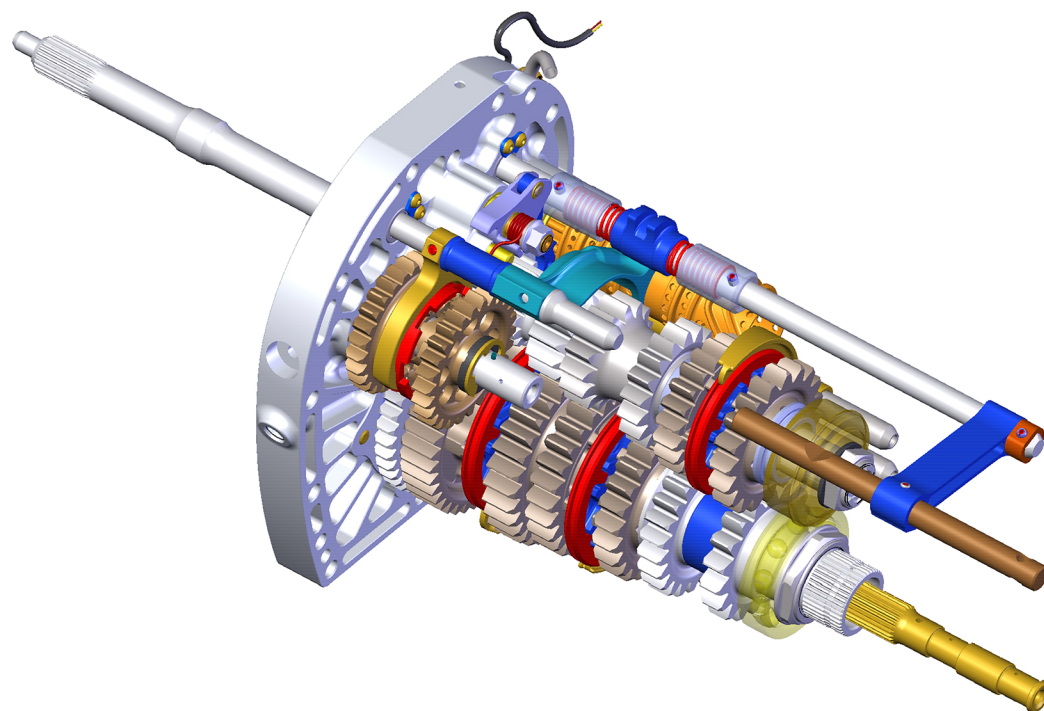




ASSEMBLY MANUAL
SUBARU R4 SEQUENTIAL KIT



PREROVSKA 561
75201 KOJETIN
CZECH REPUBLIC

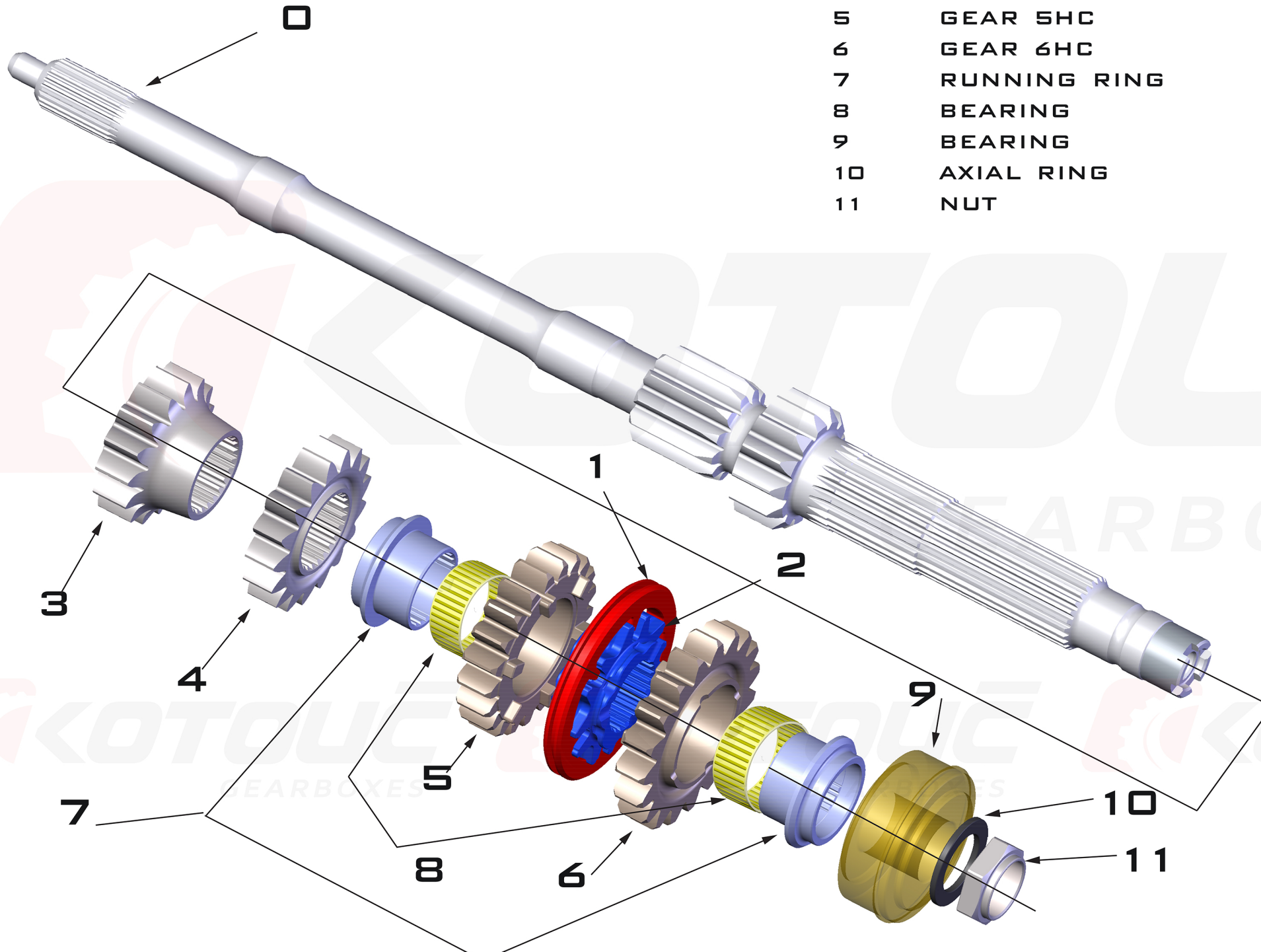
INFO@KOTOUCGEARBOXES.COM
+420 725 790 769

KOTOUCGEARBOXES.COM

SUBARU R4 SEQUENTIAL KIT



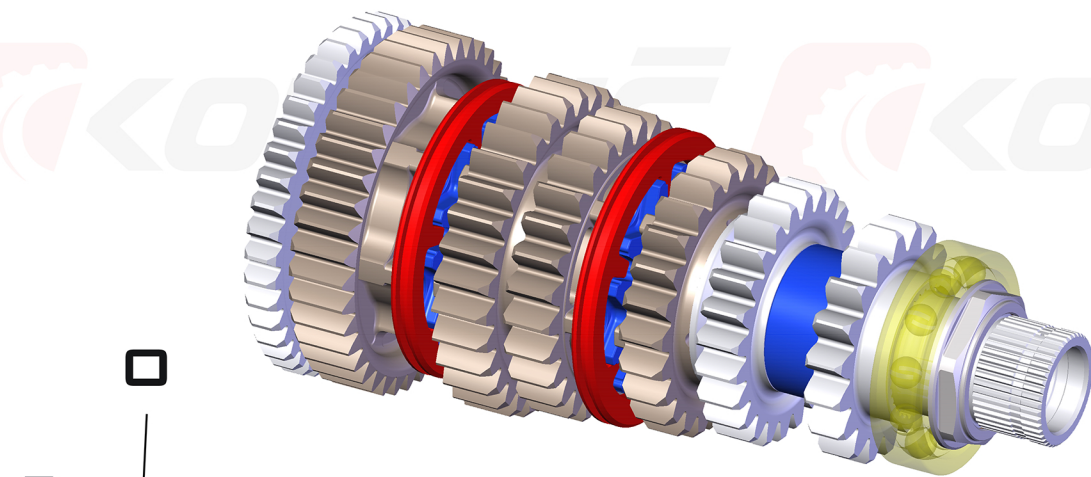
0	INPUT SHAFT	MN-01-001-P1
1	DOGRING 5/6	MN-01-018
2	HUB 5/6	MN-01-016
3	GEAR 3HC	MN-01-003-380-1527-P1
4	GEAR 4HC	MN-01-004-360-1926-P2
5	GEAR 5HC	MN-01-005-420-1819-P2
6	GEAR 6HC	MN-01-006-340-2521-P2
7	RUNNING RING	MN-01-021
8	BEARING	K40x47x18
9	BEARING	806329010
10	AXIAL RING	803528030
11	NUT	802628030



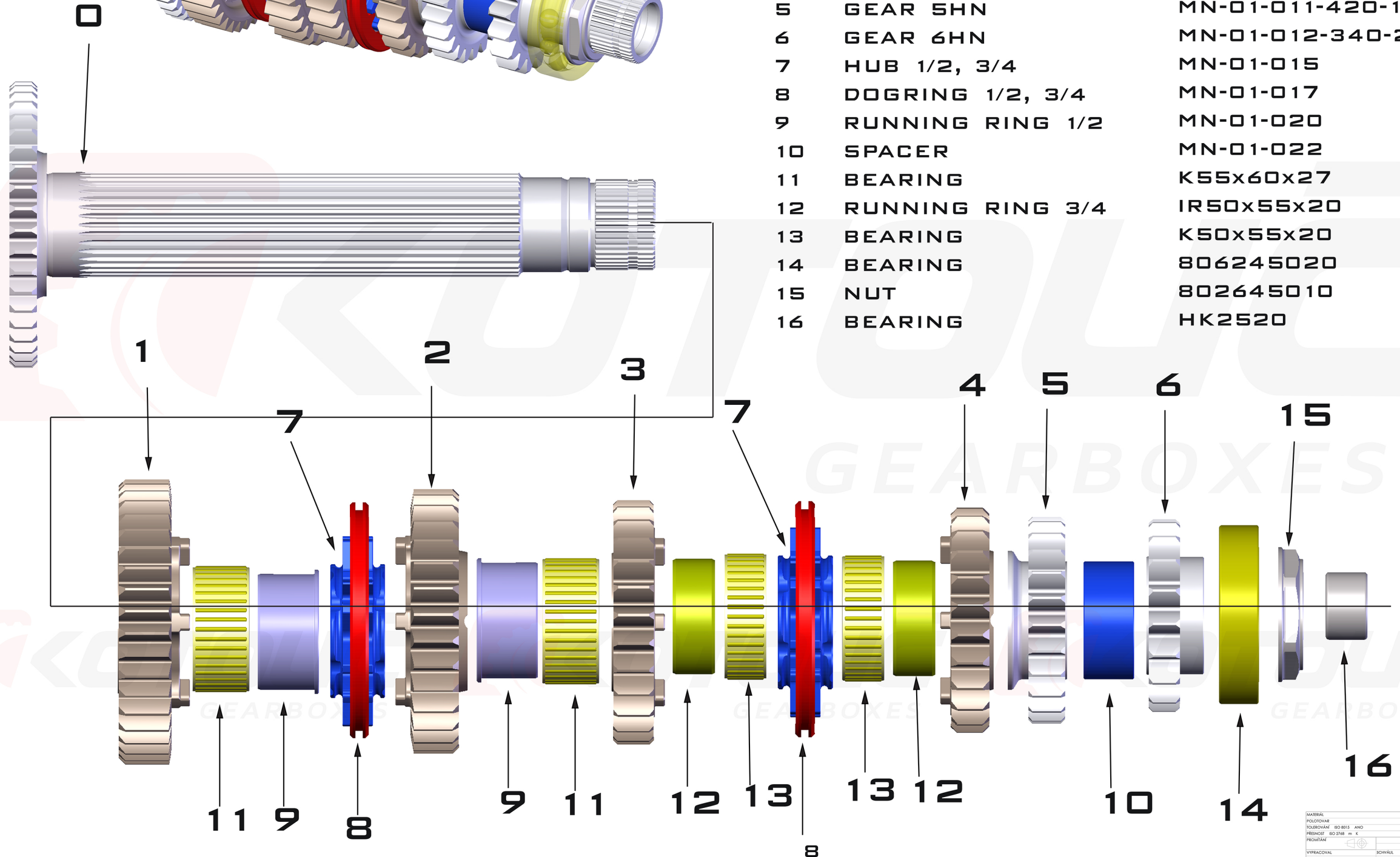
RATIO P2

MATERIÁL	POLEHOVÁNÍ	ISO 8015	ANO	INDEX	INŽENÉR	DATA	PROJEKT	1:1
TOLEROVÁNÍ	ISO 2768	m	K					
VYPRACOVANÝ	SOBRÁL	14.7.2015						
OVĚŘOVANÝ	NÁZEV							
	ČÍSLO VÝKRESU							

SUBARU R4 SEQUENTIAL KIT



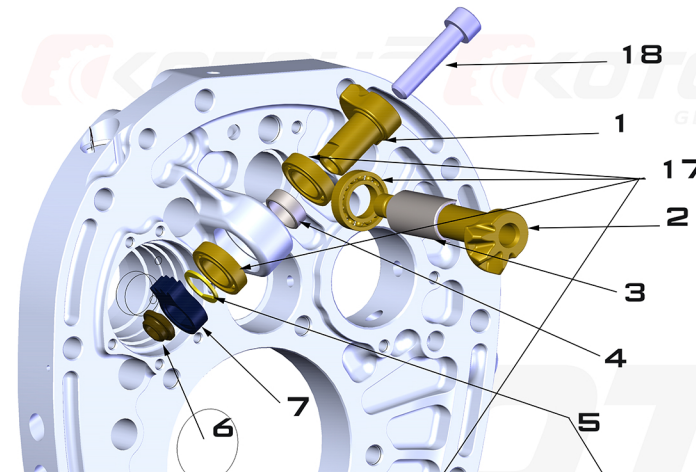
0	OUTPUT SHAFT	MN-01-002
1	GEAR 1HN	MN-01-007-310-4012-P1
2	GEAR 2HN	MN-01-008-360-3113-P1
3	GEAR 3HN	MN-01-009-380-2715-P1
4	GEAR 4HN	MN-01-010-360-2619-P2
5	GEAR 5HN	MN-01-011-420-1918-P2
6	GEAR 6HN	MN-01-012-340-2125-P2
7	HUB 1/2, 3/4	MN-01-015
8	DOGRING 1/2, 3/4	MN-01-017
9	RUNNING RING 1/2	MN-01-020
10	SPACER	MN-01-022
11	BEARING	K55x60x27
12	RUNNING RING 3/4	IR50x55x20
13	BEARING	K50x55x20
14	BEARING	806245020
15	NUT	802645010
16	BEARING	HK2520



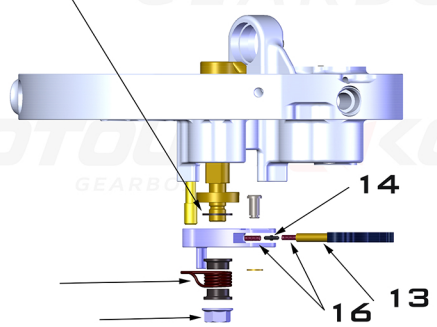
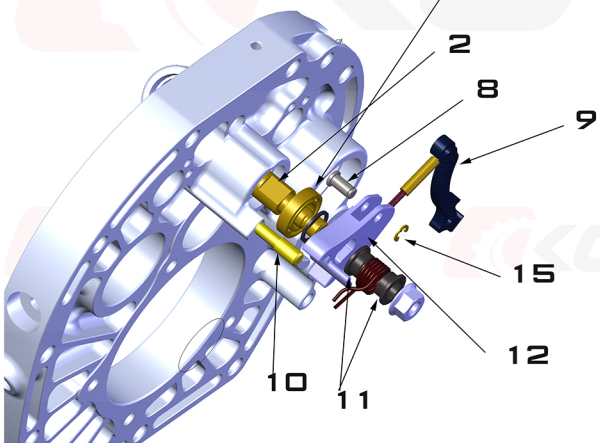
RATIO P2

MATERIÁL POLEHOVÁNÍ TOLEROVÁNÍ ISO 2768 m ± K PROVĚŘENÍ	INDEX MĚŘKA	EDICE	POPS
VYPRACOVÁNÍ KONTROLOVANÍ	SOŠPÁL DATUM 14.7.2015	HMŤOVNOST SEST. 3L V.	SKUPINKA KUSOVNÁ
NÁZEV ČÍSLO VÝKRESU		MĚŘÍTKO 1:1	

SUBARU R4 SEQUENTIAL KIT



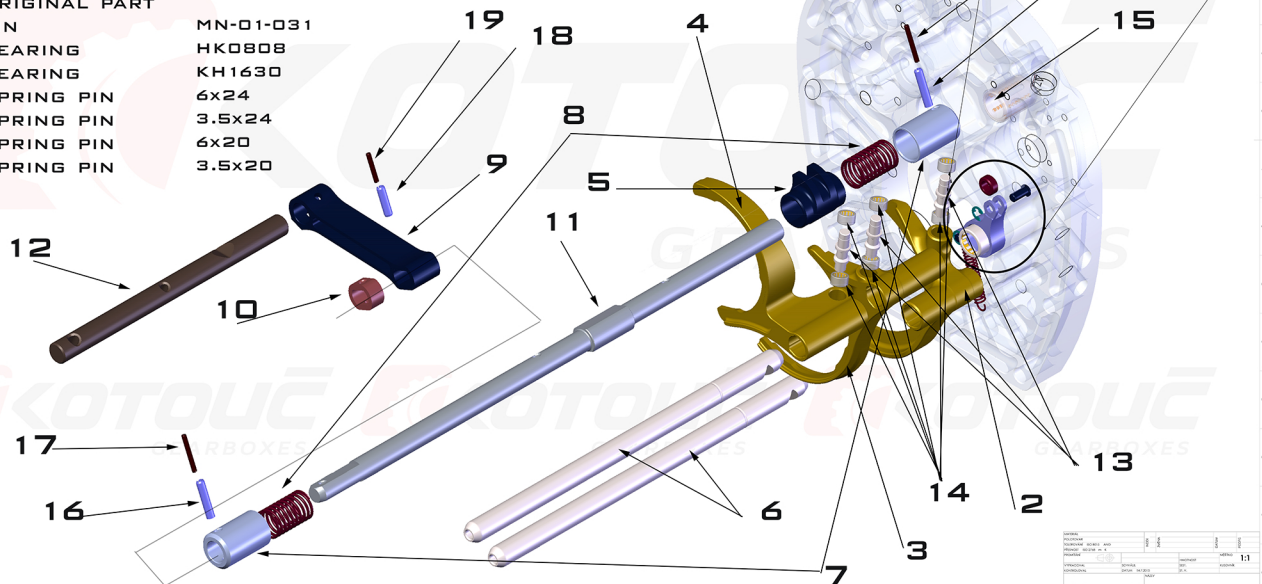
1	SATELITE A	MN-01-036
2	SATELITE B	MN-01-035
3	DISTANCE RING A	MN-01-054
4	DISTANCE RING B	MN-01-053
5	SPACER	MN-01-052
6	NUT	MN-01-041
7	SHIFT RING	MN-01-037
8	PIN	MN-01-043
9	SHIFT RATCHET	MN-01-040
10	PIN	MN-01-051
11	SPACER	MN-01-042
12	SHIFT AUTOMAT	MN-01-039
13	PLUNGER	MN-01-044
14	CONNECTOR	MN-01-049
15	SNAP RING	CSN 02 2929
16	SPRING	30216
17	BEARING	61903
18	SCREW	M10X1.25X45



SUBARU R4 SEQUENTIAL KIT

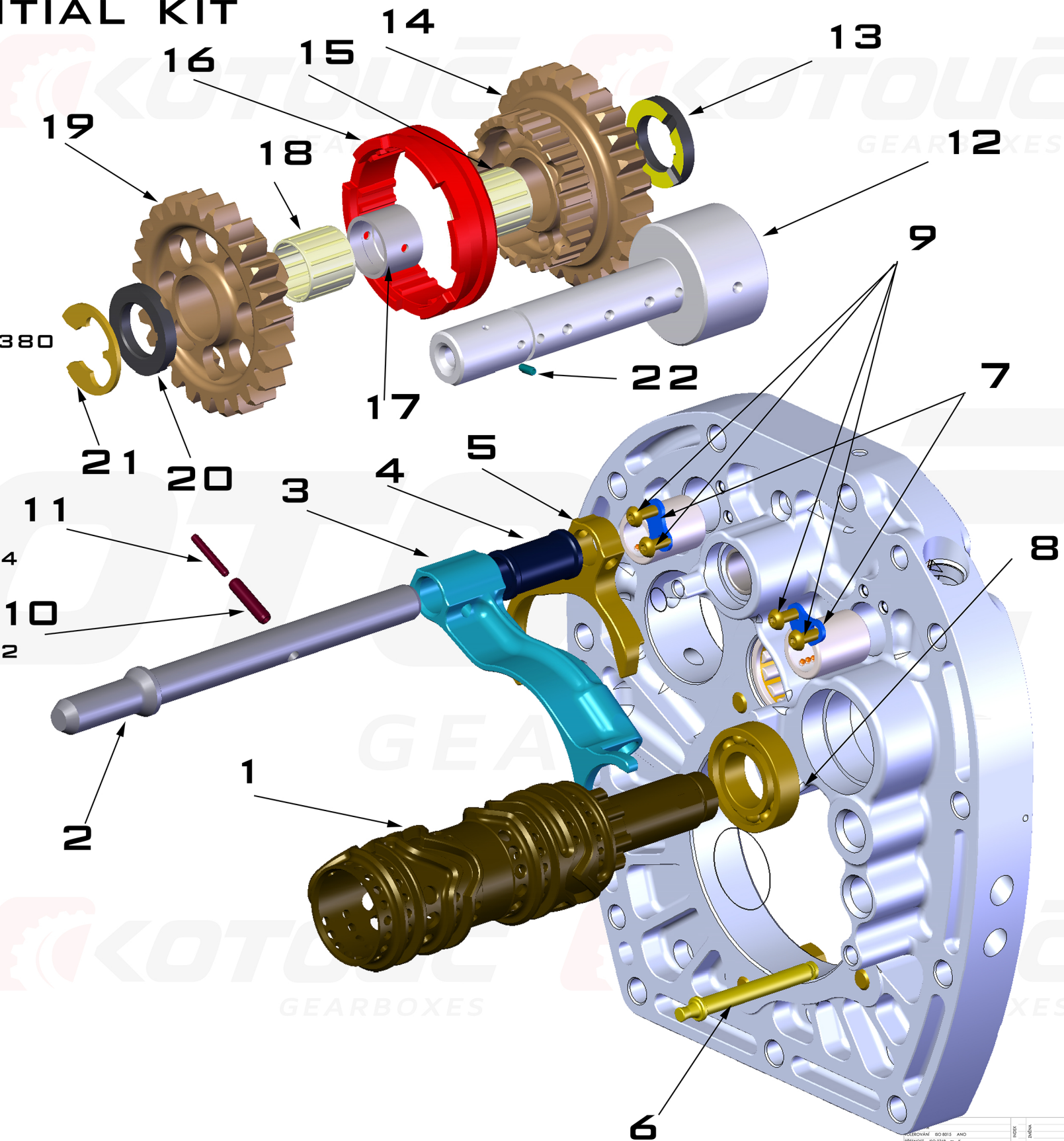
1	CASE	MN-01-034
2	FORK 1/2	MN-01-024
3	FORK 3/4	MN-01-025
4	FORK 5/6	MN-01-026
5	CENTER	MN-01-055
6	SHAFT	MN-01-028
7	COVER	MN-01-056
8	SPRING	30514
9	CROSS	MN-01-033
10	LOCK	MN-01-057
11	SHAFT	MN-01-038
12	ORIGINAL PART	
13	PIN	MN-01-031
14	BEARING	HK0808
15	BEARING	KH1630
16	SPRING PIN	6x24
17	SPRING PIN	3.5x24
18	SPRING PIN	6x20
19	SPRING PIN	3.5x20

A	ROLLER	MN-01-046
B	PIN	MN-01-047
C	STABILIZER	MN-01-045
D	PIN	MN-01-048
E	SPRING	31400
F	SNAP RING	CSN 02 2929
G	BEARING	HK1612
H	PIN ROLLER	1.5x5.8



SUBARU R4 SEQUENTIAL KIT

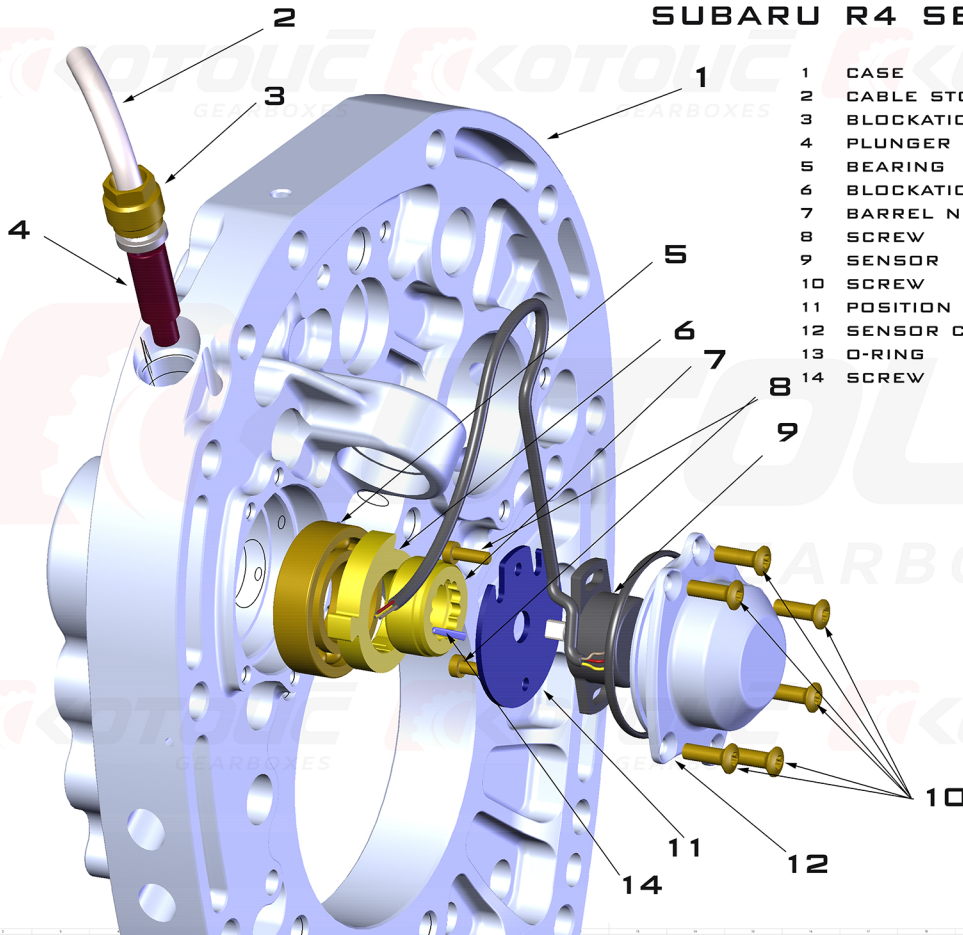
- | | | |
|----|------------------|---------------|
| 1 | BARREL | MN-01-023 |
| 2 | SHAFT REV | MN-01-029 |
| 3 | SLIDER REV | MN-01-030 |
| 4 | DISTANCE RING | MN-01-032 |
| 5 | FORK REV | MN-01-027 |
| 6 | PIN | MN-01-050 |
| 7 | HOLDER | MN-01-063 |
| 8 | BEARING | 6005 |
| 9 | SCREW | M5x12 ISO7380 |
| 10 | SPRING PIN | 6x24 |
| 11 | SPRING PIN | 3.5x24 |
| 12 | ORIGINAL PART | |
| 13 | ORIGINAL PART | |
| 14 | GEAR REV | MN-01-014 |
| 15 | ORIGINAL PART | |
| 16 | DOGRING REV 66MM | MN-01-019-P4 |
| 17 | ORIGINAL PART | |
| 18 | ORIGINAL PART | |
| 19 | GEAR REV IDLER | MN-01-013-P2 |
| 20 | ORIGINAL PART | |
| 21 | ORIGINAL PART | |
| 22 | ORIGINAL PART | |



RATIO P1 - 66MM

SKLADENÉ ISO 9015 ANO	INDEX	VERZIA	DATA	POPS
PRENOSIT ISO 2168 m K	PROJEKTANT			
VYPRACOVANÉ	SKYVAL	HMOCNOST	PREKROK	1:1
SOVROVANA	DATA	SEK.	KUSOVNA	
	NARV			
KOTOUC GEARBOXES		CISLO VYKRESU		

SUBARU R4 SEQUENTIAL KIT



1	CASE	MN-01-034
2	CABLE STOP	MN-01-066
3	BLOCKATION SCREW	MN-01-061
4	PLUNGER	MN-01-059
5	BEARING	6005
6	BLOCKATION	MN-01-058-P1
7	BARREL NUT	MN-01-062
8	SCREW	M4x14 DIN7984
9	SENSOR	SP28
10	SCREW	M5x16
11	POSITION PLATE	MN-01-065
12	SENSOR COVER	MN-01-064
13	O-RING	54x2.5
14	SCREW	M4x16 DIN916