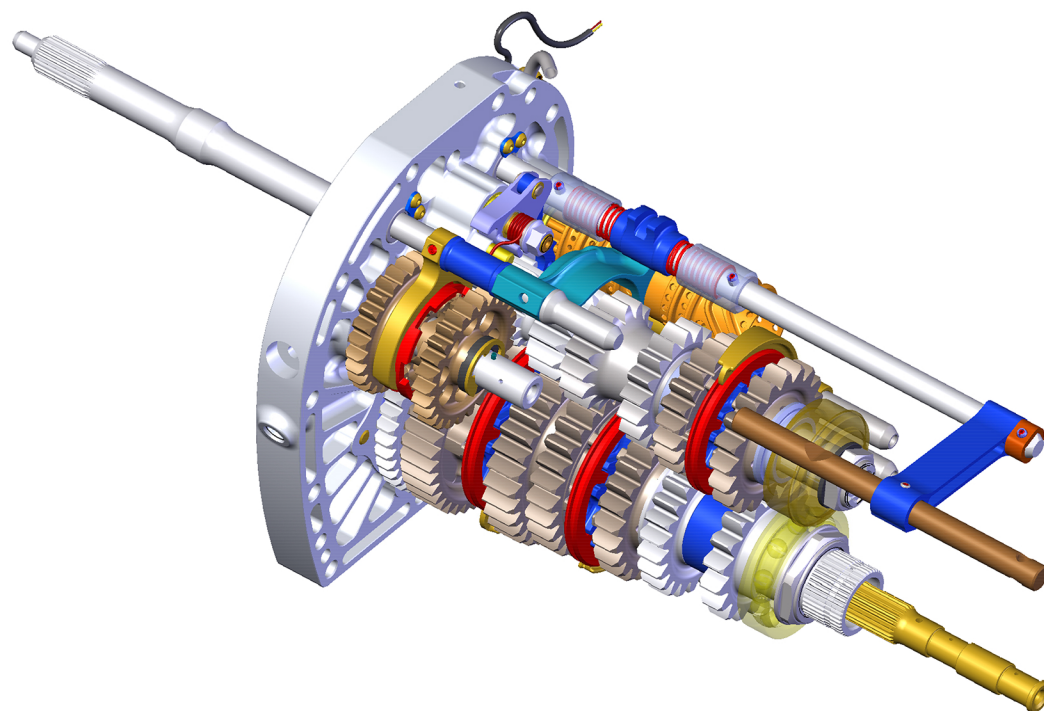




ASSEMBLY MANUAL
SUBARU R4 SEQUENTIAL KIT



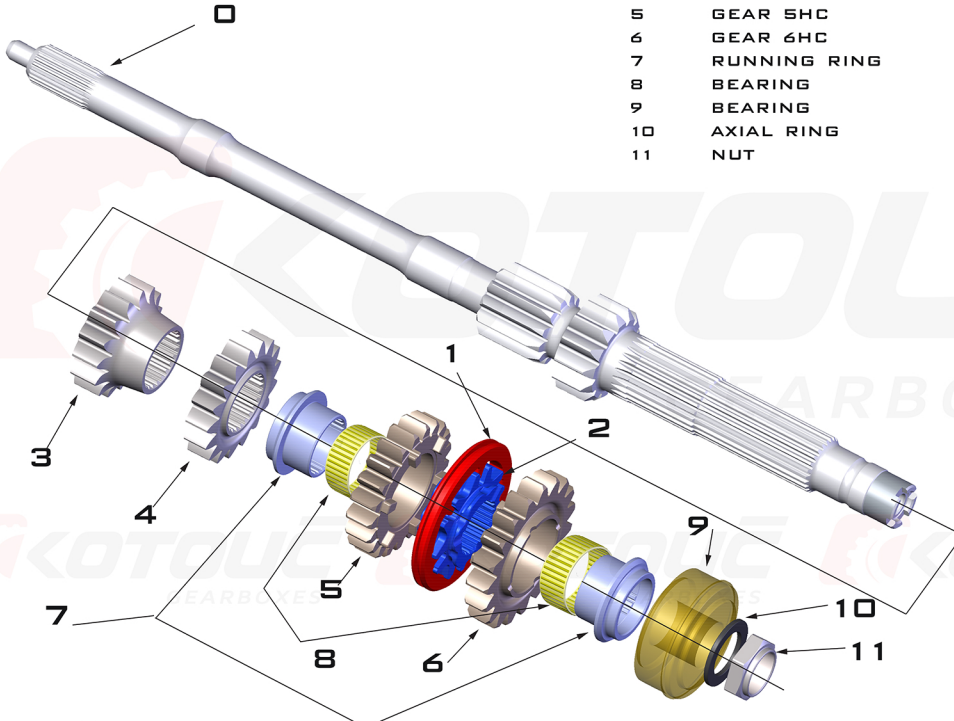
PREROVSKA 561
75201 KOJETIN
CZECH REPUBLIC

INFO@KOTOUCGEARBOXES.COM
+420 725 790 769

KOTOUCGEARBOXES.COM

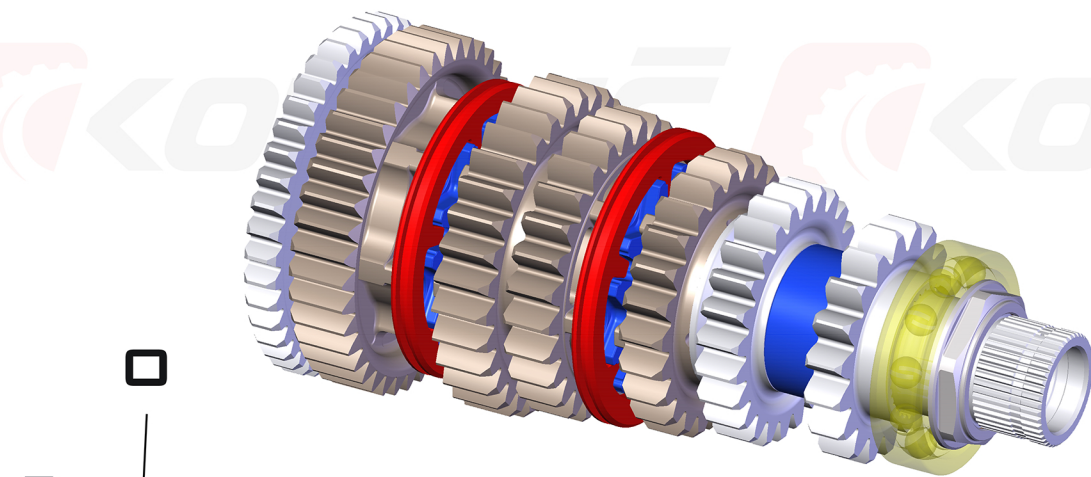
SUBARU R4 SEQUENTIAL KIT

0	INPUT SHAFT	MN-01-001-P1
1	DOG RING 5/6	MN-01-018
2	HUB 5/6	MN-01-016
3	GEAR 3HC	MN-01-003-380-1527-P1
4	GEAR 4HC	MN-01-004-380-1724-P1
5	GEAR 5HC	MN-01-005-360-2124-P1
6	GEAR 6HC	MN-01-006-420-1918-P1
7	RUNNING RING	MN-01-021
8	BEARING	K40x47x18
9	BEARING	806329010
10	AXIAL RING	803528030
11	NUT	802628030

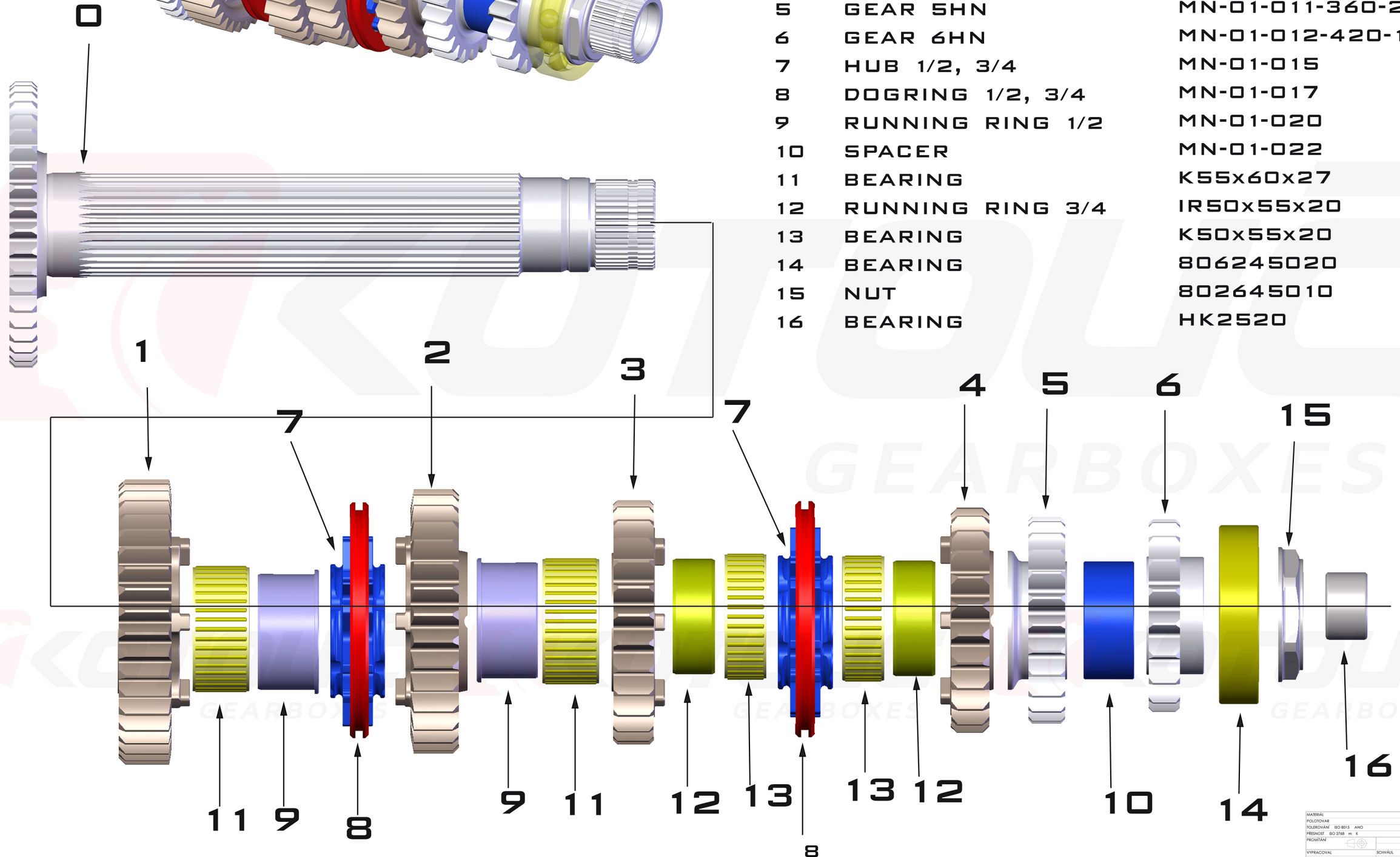


RATIO P1

SUBARU R4 SEQUENTIAL KIT



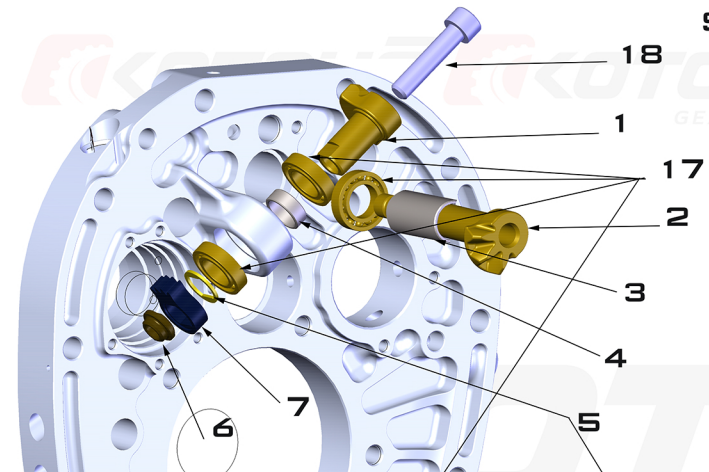
0	OUTPUT SHAFT	MN-01-002
1	GEAR 1HN	MN-01-007-310-4012-P1
2	GEAR 2HN	MN-01-008-360-3113-P1
3	GEAR 3HN	MN-01-009-380-2715-P1
4	GEAR 4HN	MN-01-010-380-2417-P1
5	GEAR 5HN	MN-01-011-360-2421-P1
6	GEAR 6HN	MN-01-012-420-1819-P1
7	HUB 1/2, 3/4	MN-01-015
8	DOGRING 1/2, 3/4	MN-01-017
9	RUNNING RING 1/2	MN-01-020
10	SPACER	MN-01-022
11	BEARING	K55x60x27
12	RUNNING RING 3/4	IR50x55x20
13	BEARING	K50x55x20
14	BEARING	806245020
15	NUT	802645010
16	BEARING	HK2520



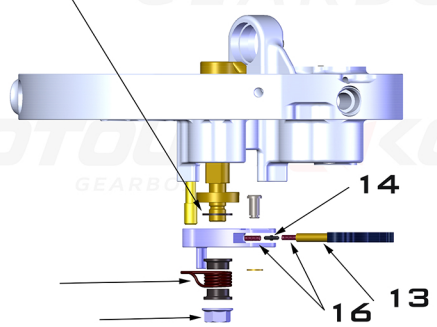
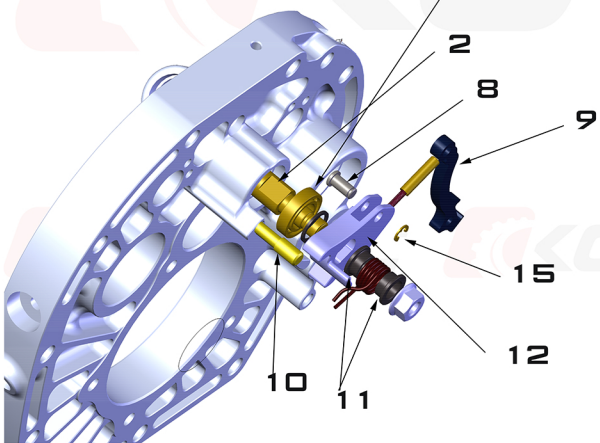
RATIO P1

MATERIAL POLOŽOVÁNÍ TOLEROVÁNÍ ISO 2015 ANO PŘEHOŠTÍ ISO 2148 m K PROVÍZKOVÁNÍ	INDEX MĚŘKA	EDICE TYPUS	1:1
VYPRACOVAN KONTROLOVAN	SOBRÁL DATA 14.7.2015	HMŮŽNOST SEST. 31,4	KUSOVNÁ KUSOVNÁ
NÁZEV		ČÍSLO VÝKRESU	
KOTOLIC GEARBOXES			

SUBARU R4 SEQUENTIAL KIT



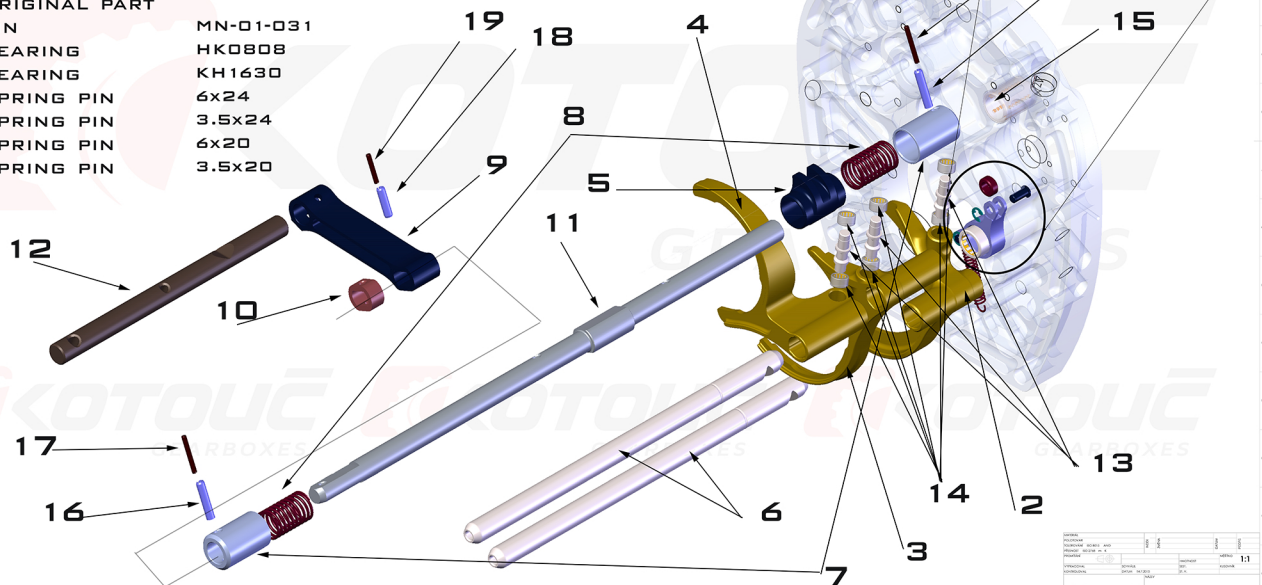
1	SATELITE A	MN-01-036
2	SATELITE B	MN-01-035
3	DISTANCE RING A	MN-01-054
4	DISTANCE RING B	MN-01-053
5	SPACER	MN-01-052
6	NUT	MN-01-041
7	SHIFT RING	MN-01-037
8	PIN	MN-01-043
9	SHIFT RATCHET	MN-01-040
10	PIN	MN-01-051
11	SPACER	MN-01-042
12	SHIFT AUTOMAT	MN-01-039
13	PLUNGER	MN-01-044
14	CONNECTOR	MN-01-049
15	SNAP RING	CSN 02 2929
16	SPRING	30216
17	BEARING	61903
18	SCREW	M10X1.25X45



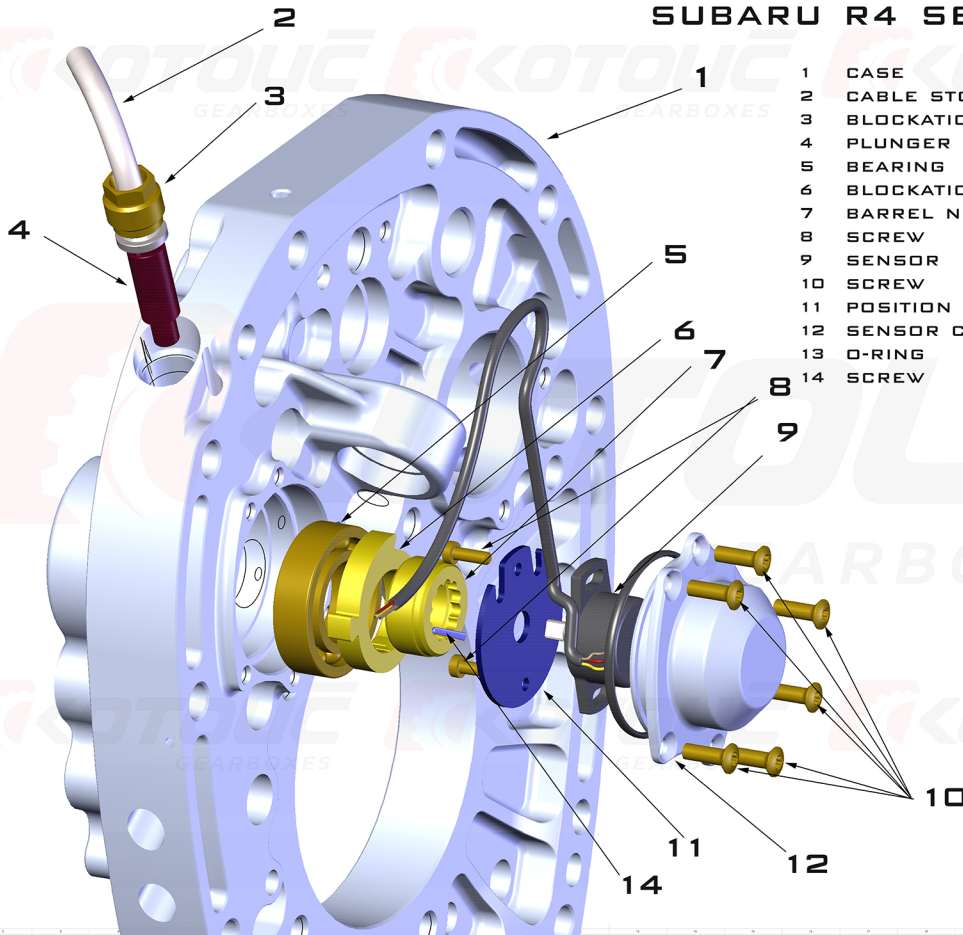
SUBARU R4 SEQUENTIAL KIT

1	CASE	MN-01-034
2	FORK 1/2	MN-01-024
3	FORK 3/4	MN-01-025
4	FORK 5/6	MN-01-026
5	CENTER	MN-01-055
6	SHAFT	MN-01-028
7	COVER	MN-01-056
8	SPRING	30514
9	CROSS	MN-01-033
10	LOCK	MN-01-057
11	SHAFT	MN-01-038
12	ORIGINAL PART	
13	PIN	MN-01-031
14	BEARING	HK0808
15	BEARING	KH1630
16	SPRING PIN	6x24
17	SPRING PIN	3.5x24
18	SPRING PIN	6x20
19	SPRING PIN	3.5x20

A	ROLLER	MN-01-046
B	PIN	MN-01-047
C	STABILIZER	MN-01-045
D	PIN	MN-01-048
E	SPRING	31400
F	SNAP RING	CSN 02 2929
G	BEARING	HK1612
H	PIN ROLLER	1.5x5.8



SUBARU R4 SEQUENTIAL KIT



1	CASE	MN-01-034
2	CABLE STOP	MN-01-066
3	BLOCKATION SCREW	MN-01-061
4	PLUNGER	MN-01-059
5	BEARING	6005
6	BLOCKATION	MN-01-058-P1
7	BARREL NUT	MN-01-062
8	SCREW	M4x14 DIN7984
9	SENSOR	SP28
10	SCREW	M5x16
11	POSITION PLATE	MN-01-065
12	SENSOR COVER	MN-01-064
13	O-RING	54x2.5
14	SCREW	M4x16 DIN916

